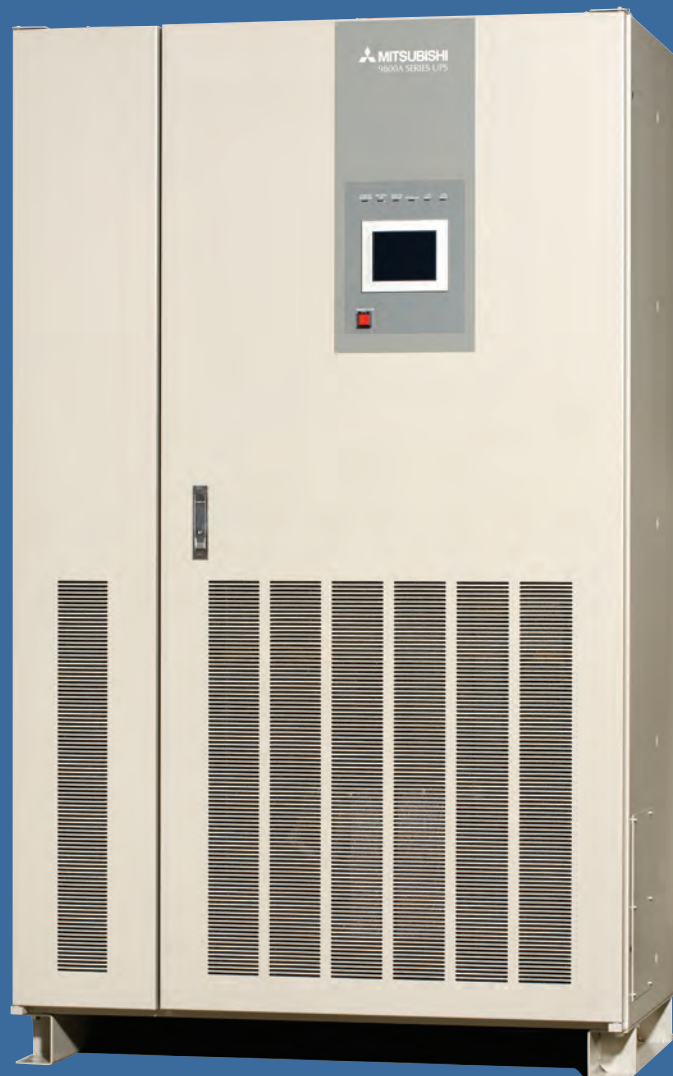


# 9800A UPS

UNINTERRUPTIBLE  
**POWER SUPPLIES**

100KVA - 750KVA

9800A



150kVA  
Model

# 9800A

The 9800A UPS system uses the most advanced Insulated Gate Bipolar Transistors (IGBT) in both the converter and inverter. This unique combination simply means our 9800A UPS offers superior reliability and superior performance.



150kVA Model

## SERIES

# >9800A UPS

The Mitsubishi Electric 9800A Series Uninterruptible Power Supply (UPS) provides the reliability and superior performance expected of a Mitsubishi UPS along with the flexibility and adaptability for Single- or Multi-module system applications.

### EXCEPTIONAL EFFICIENCY

The 9800A Series UPS delivers as much as 94% system efficiency substantially reducing operating and cooling costs. The result: low cost of ownership and fast payback of initial investment.

### RELIABILITY AND STABILITY

No organization in the UPS industry offers the in-depth experience and unparalleled quality of Mitsubishi Electric. Mitsubishi Electric has been developing and manufacturing Uninterruptible Power Supply (UPS) Systems and components for four decades.

Because each module features its own static bypass and control circuitry, the 9800A UPS can be utilized in Single- (SMS) or Multi-module (MMS) configurations. This allows for a highly reliable and flexible system approach. If loads on a MMS decrease, a module or modules can be removed and used elsewhere in a single module application. Likewise, an existing SMS can be paralleled for capacity or redundancy at a later date.

### UNIT FLEXIBILITY

The Mitsubishi Electric 9800A Series offers units with 480 volt and 600 volt AC output options. The offering of both the 480 volt and 600 volt AC output voltages, eliminates the need to purchase an

additional output transformer when supplying 480V or 600V critical loads. This adds up to significant savings of costs and floor space.

### OPTIONAL OUTPUT VOLTAGE

The 9800A Series UPS features units with integrated output isolation transformers which can be used to generate a 480Y/271 and 600Y/346 volt 4 wire output. This can be done with Single- or Multi-module applications.

### OPEN ARCHITECTURE

The 9800A Series UPS provides for a variety of communication methods with features that make the product inherently easy to use and maintain.

### SUPERIOR PERFORMANCE

Mitsubishi pioneered the use of the IGBT in the inverter and converter sections of the UPS. Many UPS systems on the market today have followed suit. It is not enough to merely provide IGBT technology. How the IGBT is controlled is the key.

Mitsubishi has incorporated its Digital Signal Processor and Direct Digital Control (DDC) to gain the full benefits of the most advanced generation IGBT. This combination provides superior performance characteristics under all load conditions.

| KVA/KW    | OUTPUT PF | DIMENSIONS (WXDXH)     | LBS  | COMMENTS              |
|-----------|-----------|------------------------|------|-----------------------|
| 100/80    | 0.8       | 43.3" X 29.8" X 79.7"  | 2060 | SHIPPED IN 1 SECTION  |
| 150/100   | 0.8       | 47.2" X 29.8" X 79.7"  | 2580 | SHIPPED IN 1 SECTION  |
| 225/180   | 0.8       | 55.1" X 29.8" X 79.7"  | 3260 | SHIPPED IN 1 SECTION  |
| 300/270   | 0.9       | 76.8" X 37.7" X 79.7"  | 4560 | SHIPPED IN 1 SECTION  |
| 375/337.5 | 0.9       | 76.8" X 37.7" X 79.7"  | 4920 | SHIPPED IN 1 SECTION  |
| 500/450   | 0.9       | 114.2" X 37.7" X 79.7" | 6920 | SHIPPED IN 2 SECTIONS |
| 750/675   | 0.9       | 129.9" X 49.5" X 79.7" | 9190 | SHIPPED IN 2 SECTIONS |

# RELIABILITY

## 2-year-warranty



**Mitsubishi Electric Customized IGBT Module**

Mitsubishi Electric is the leading manufacturer of Insulated Gate Bipolar Transistors (IGBT). IGBT modules are utilized in the 9800A Series UPS Systems. These advanced, high-performance transistors provide a variety of intelligent features:

- > Large Power Capabilities
- > High Speed Switching
- > Low Control Power Consumption
- > Low Switching Loss

IGBT has become the preferred power device for UPS systems, but it is how the IGBT power device is controlled that is key to achieving optimum UPS performance.



# EFFICIENT

## up to 94% system efficiency

At Mitsubishi Electric Power Products, Inc., we understand that in today's high-speed, digital world, critical load downtime can cost your company millions of dollars. That is why we have developed the 9800A UPS.

**STANDARD FEATURES**

- > Fully Digital, IGBT Hybrid Converter and IGBT Inverter
- > Advanced Circuit Topology and Pulse Width Modulation (PWM)
- > Parallel up to Eight (8) Modules
- > Front Access UPS
- > Small Footprint and Weight
- > UL 1778 Listed

**AC INPUT**

- > 480VAC 3P, 3W, 60 Hz\*
  - > +15%, -15% Voltage Range
  - > <6% THD @ 100% Load
  - > Power Factor: 0.99
  - > Surge Withstand: meets IEEE, 587. ANSI C62.41-1980
- \*600VAC using Input Transformers

**DC LINK VOLTAGE**

- > 480V

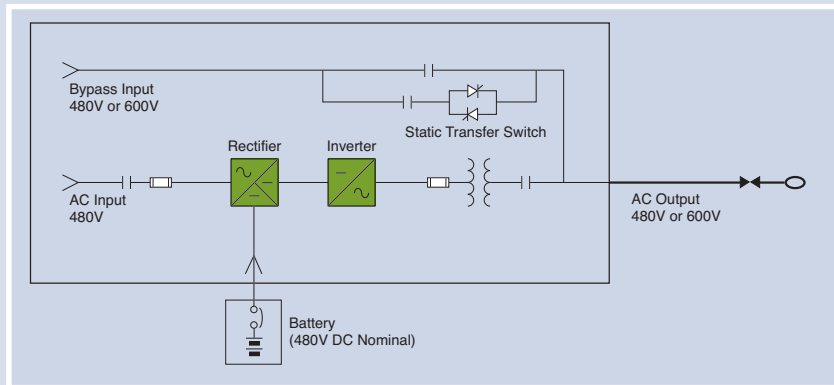
**AC OUTPUT**

- > 480Y/277VAC or 600Y/346VAC
- > 480VAC 3P, 3W or 4W, Plus Ground, 60 Hz
- > Power Factor: 100-225 KVA: 0.8; 300-750 KVA: 0.9
- > Voltage Accuracy: ±1%
- > Transient Recovery Time: 20 Milliseconds
- > Step Load (100%): ±2%
- > Voltage THD: 2% Maximum @ 100% Linear Load
- > Overload: 125% for 10 Minutes, 150% for 1 Minute

**OPERATING ENVIRONMENT**

- > Low Acoustic Noise
- > Temperature: 0–40°C
- > Relative Humidity: 5–95% (Noncondensing)
- > Altitude: 0–9,000 ft.

9800A ONE LINE DIAGRAM



# FLEXIBLE

## system flexibility

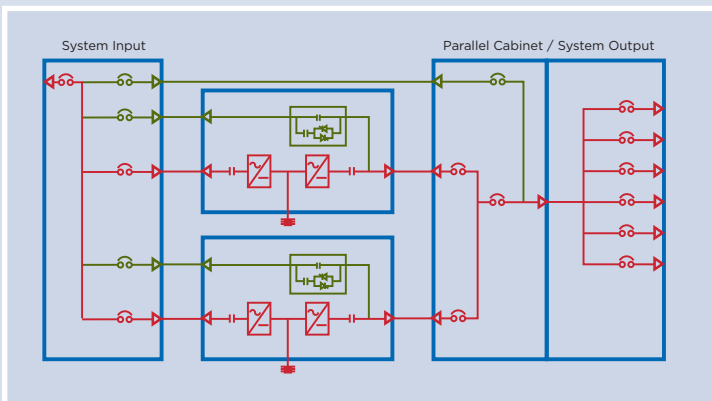
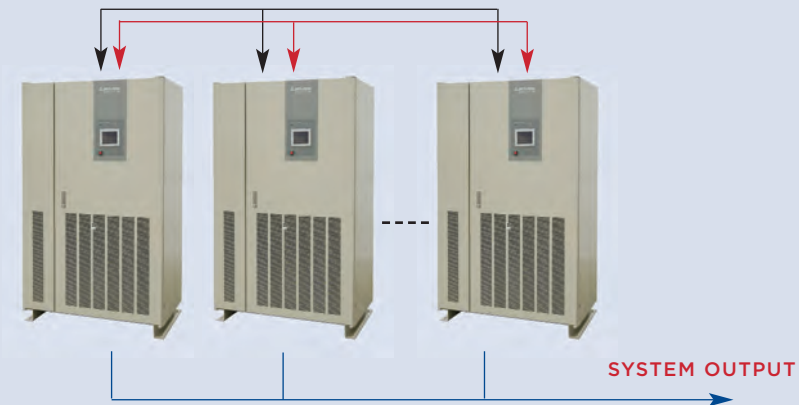
### 9800A UPS MULTI-MODULE SYSTEM (MMS) LINE UP

The Mitsubishi 9800A Multi-Module System (MMS) incorporates individual parallel control and static bypass circuitry in each independent UPS Module. Our 9800A MMS therefore offers complete system redundancy, reliability and flexibility with cost saving scalability and a reduced footprint.

### MITSUBISHI 9800A MMS FEATURES INCLUDE:

- > Up to 8 UPS Modules in Parallel
- > UPS Module Adaptable for MMS or SMS Operation
- > Customizable Input and Output Distribution
- > System Load Bank Test Circuit (Optional)
- > Parallel for Redundant or Capacity System Configuration

### SYSTEM INPUTS



**Note:** Dimensions dependent on system design and configuration.

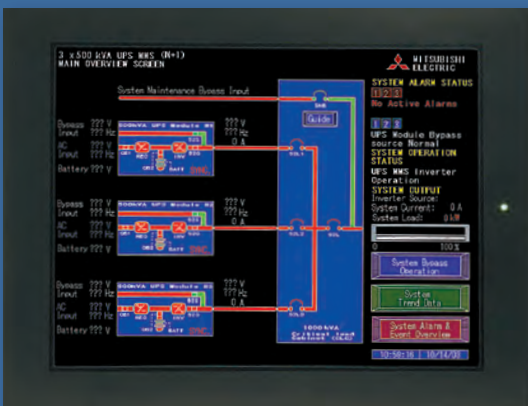
# > Reliability FLEXIBILITY

Today's business climate requires UPS Systems that offer not only Reliability but also Flexibility. Mitsubishi Electric Multi-Module Systems (MMS) utilize UPSs with independent parallel control and bypass circuits, and a unique Critical Load Cabinet (CLC) to offer complete System Reliability and Flexibility.

## Critical Load Cabinet (CLC)

### CLC MONITORING SYSTEM FEATURES

- > Monitors complete UPS Multi-Module System
- > Utilizes Ethernet and 10BaseT
- > Touch screen operator terminal
- > MMS mimic flow diagram and color status display
- > MMS UPS module metering
- > System Voltage/Current/Power Measurement displays
- > Individual UPS module and battery data screen
- > System event and alarm screens
- > Alarm history screens
- > Remote web monitoring
- > Trend data screens
- > Operator function screens
- > High communication capability





The quality management system of Mitsubishi Electric Corporation Kobe Works has been approved to ISO9001:2000.

The quality management system is applicable to design, development and manufacturing of the UPS.

Mitsubishi Electric Power Products, Inc.  
Uninterruptible Power Supplies (UPS) Division  
547 Keystone Drive • Warrendale, PA 15086  
Phone: 724-772-2555 • Fax: 724-778-3146

[www.meppi.com](http://www.meppi.com)

MK00011R-Rev#3 • February 2011



**MITSUBISHI  
ELECTRIC**

UNINTERRUPTIBLE POWER SUPPLIES

**GSA**

**Contract Holder**  
Contract GS-07F-9526G



Official Sponsor